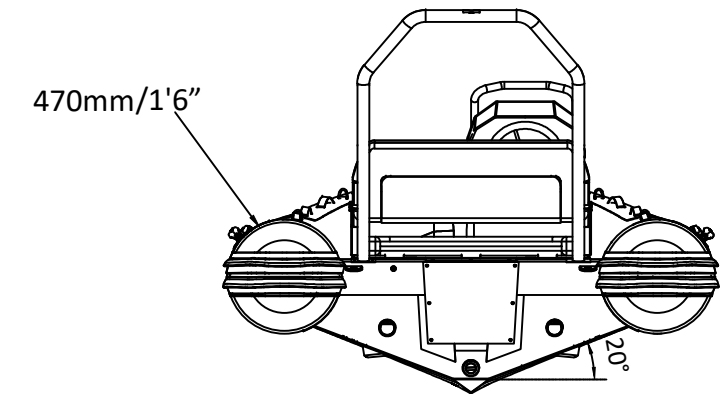
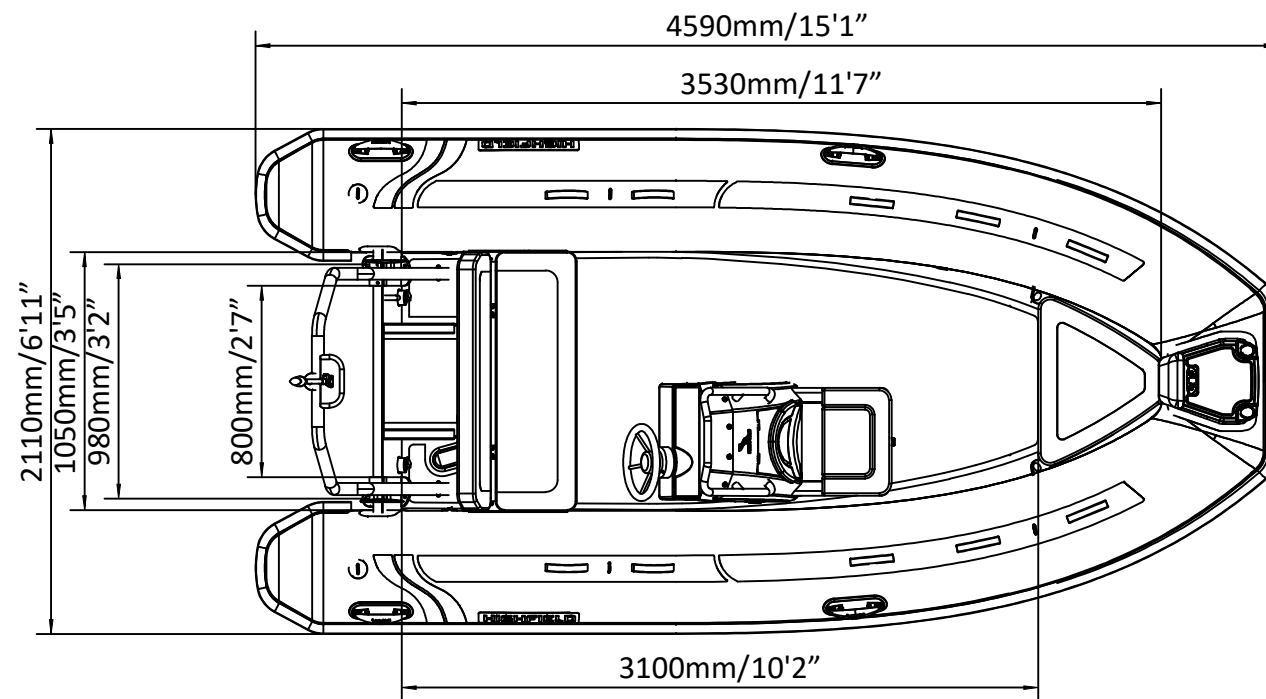
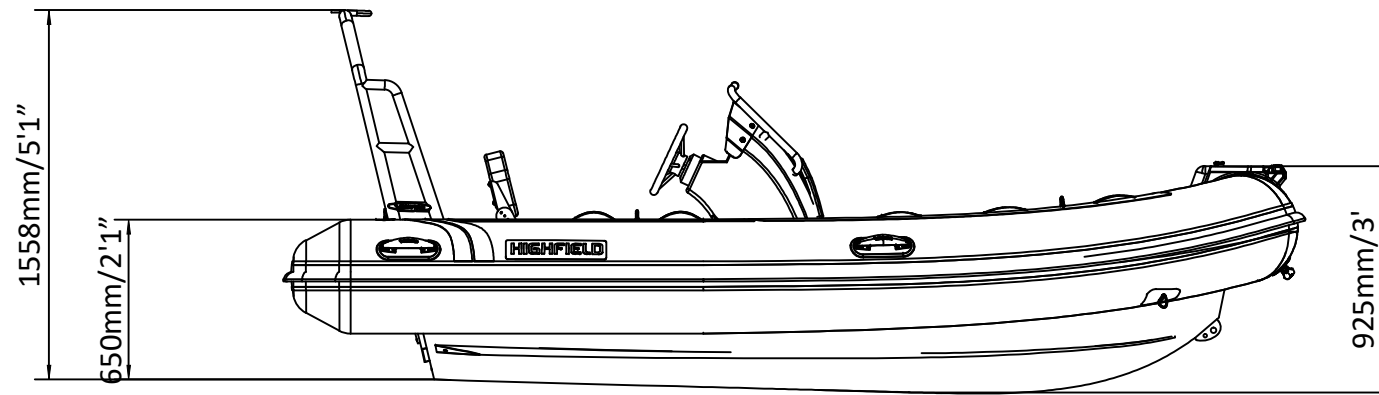
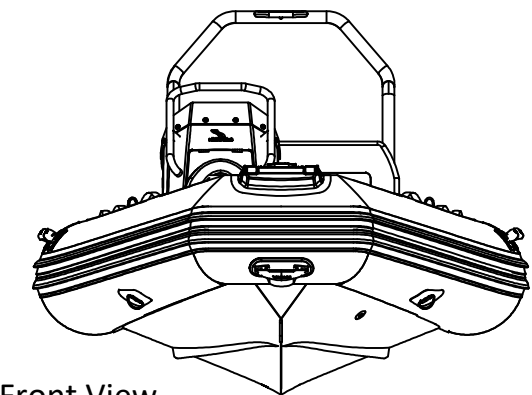


Classic 460

SPECIFICATIONS



Rear View



Front View

SPECIFICATIONS AND MAXIMUM CAPACITIES (Subject to change without notice. Tolerances: dimensions ±2.5%, weights ±5%)

MODEL	ISO 6185 PART	ISO 6185	Passengers			Outboard Engine		Sundeck		Tow post		Fuel tank Capacity		Rollbar		Wet Weight (Approximate) 80HP (59.68KW) +Fuel		AIR CHAMBERS	Pressure								
			KG	LB	#	KG	LB	KG	LB	KG	LB	KG	LB	KG	LB	KG	LB		PSI	BAR							
			KW	HP	KG	LB	KG	LB	L	GAL	KG	LB	KG	LB	KG	LB	PSI		BAR								
CL460	3	C	944	2081	9	675	1488	L	59.68	80	207.6	458	296	653	/	/	/	/	40	10.6	11.36	25	533.6	1176	5	3.63	0.25

Boat weight includes: console ,seat ,rollbar